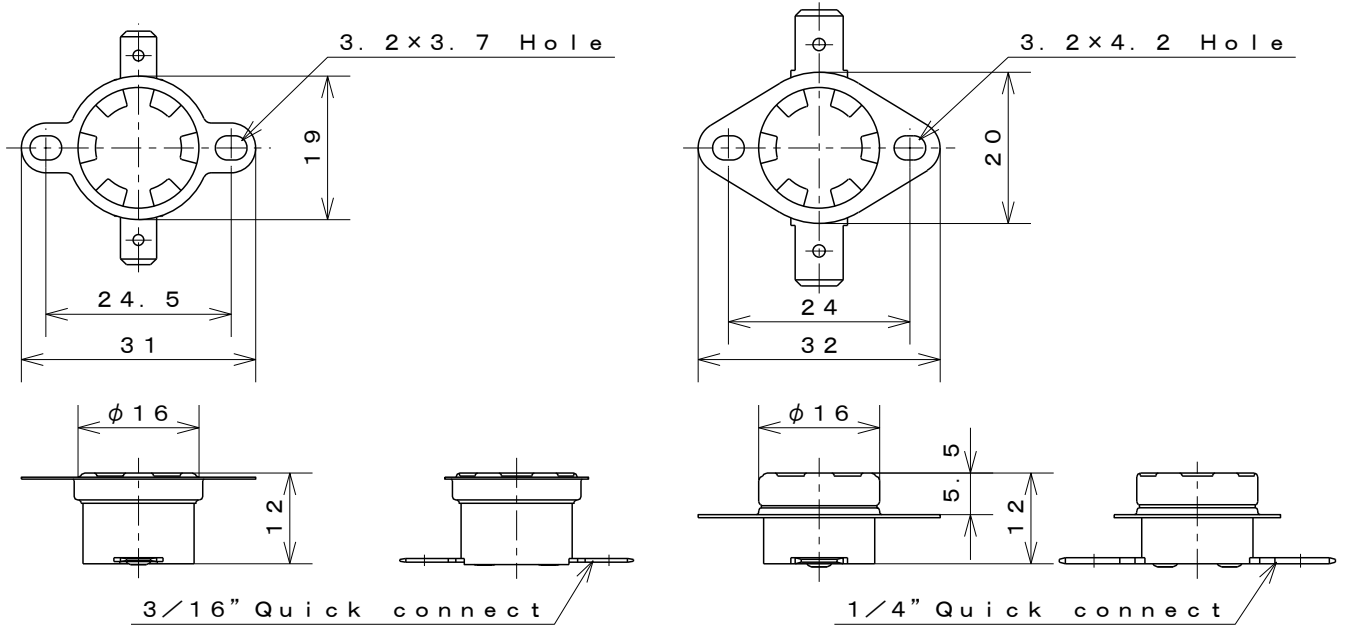




Single Operation Device  
High Temp. Type

Type **82N**

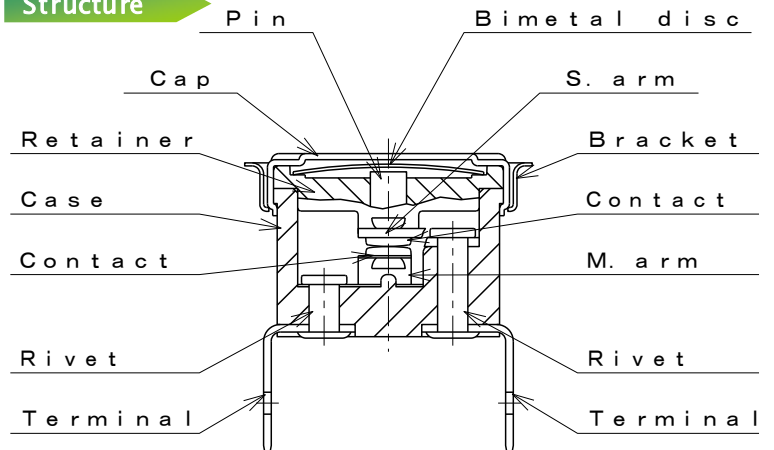
Dimensions



Materials of parts

Part	Material
Cap	Aluminum Copper Stainless steel
Case	Ceramic
M.arm	Beryllium Copper alloy
Terminals	Brass, Steel
Bracket	Stainless steel
Contacts	Silver-Nickel alloy

Structure



Specification

Item	Specification	★Compliance with RoHS Directives
1. Basic features	SPST Single Operation Device	
2. Operation	A : Contacts open on temperature rise	
3. Electrical rating	AC125V/15A AC250V/10A	
4. Calibration method	Hot & cold air circulation system	
5. Temperature rating	Operating temperature Max. 270°C Resetting Temp. less than -35°C	
6. Insulation resistance	Not less than 1,000MΩ/DC500V	
7. Dielectric strength	Not less than AC1,500V/1min. or AC1,800V/1sec.	

Safety Approval

Agency	Standard	Electrical rating	Max Temp.	File No.
UL	60730-1A, -2-9	Res.AC250V/16A SOD(-35°C)	270°C	E201152
cUL	CAN/CSA-E730-1, -2-9	Res.AC250V/16A SOD(-35°C)	270°C	E201152
EN(VDE)	EN 60730-1, -2-9	Res.AC250V/16A SOD(-35°C)	270°C	40022774